






## Bassini Plus Shower Mixer With Diverter

### Finish & SKU

 <b>Chrome</b> 25C015CH	 <b>Brushed Nickel</b> 25C015BN
 <b>Matte Black</b> 25C015MB	 <b>Brushed Gold</b> 25C015BG
 <b>Gun Metal</b> 25C015GM	



### Specifications

#### Watermark License

WM-060073

#### Temperature Rating

Min 1°C-Max 75°C

#### Pressure Rating

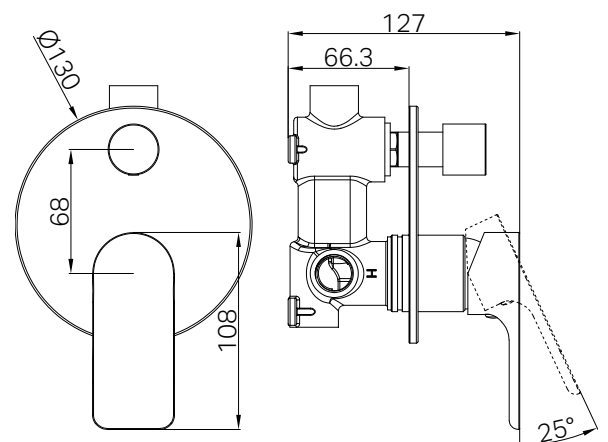
Min 150kpa-Max 500kpa

### Warranty



### Features

- 35mm ceramic cartridge can be adjusted to control water temperature and flow control setting, saving energy
- Shower mixer with quarter turn diverter defaults to bath spout/shower
- Metal wall plate construction for longevity
- Body inlets – ½ BSP female
- Suitable for mains pressure installation
- Wels rating not required
- Replaceable trim kits
- Packed Separately (Body and Trim Kits)



### Maintenance And Care

- Regularly check the mixer and connections for signs of wear or leaks.
- Clean the tap with mild soapy water to maintain its appearance, avoiding harsh chemicals and abrasive materials that may damage the finish.

- Dimensions are nominal measurements only.