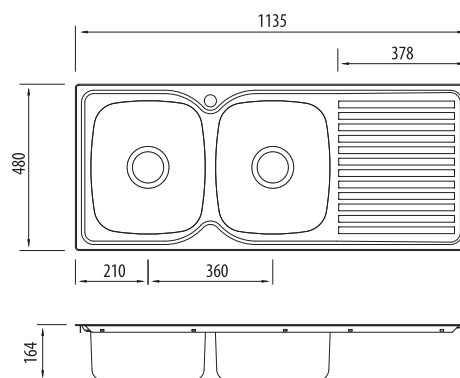




PPH71 1TH Double Bowl Sink With Drainer



Included accessories



Basket Waste



Basket Waste

Specifications

Sink size	1135W x 480H mm
Bowl size	Main Bowl 330W x 385H x 155D / 17L Main Bowl 330W x 385H x 155D / 17L
Construction	2 piece, bowls and drainer seam welded
Material	304 grade, 18/10 polished stainless steel (0.8 mm thick)
Installation	Topmount
Fixings	Adjustable clips supplied, and sealing gasket fitted
Min cabinet size	800 mm
Tap holes	1
Waste fittings	2 x 90 mm basket wastes included
Carton size	1240 x 520 x 190 mm
Weight	8.5 kg
Warranty	Lifetime manufacturer's warranty (T&Cs Apply)
Maintenance and care instructions	All surfaces should be cleaned with mild liquid detergent or soap and water. To maintain the shine on your stainless steel sink, we recommended the use of any of the easy to obtain, non-abrasive stainless steel cleaners or metal polishes.